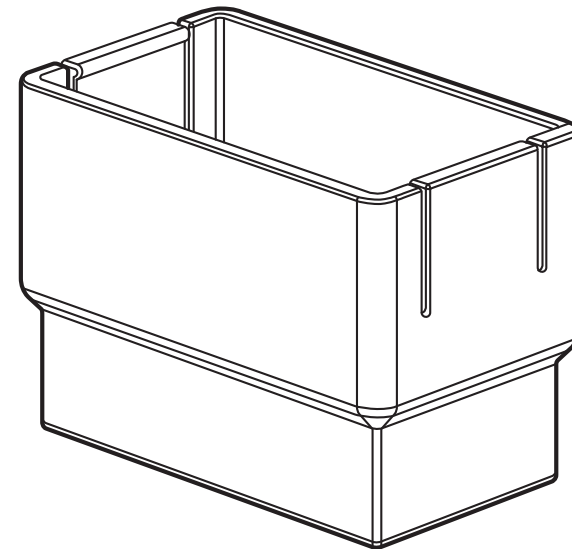


TALL TABLE

Table riser. Makes the table high enough to be convenient for people in wheelchairs.

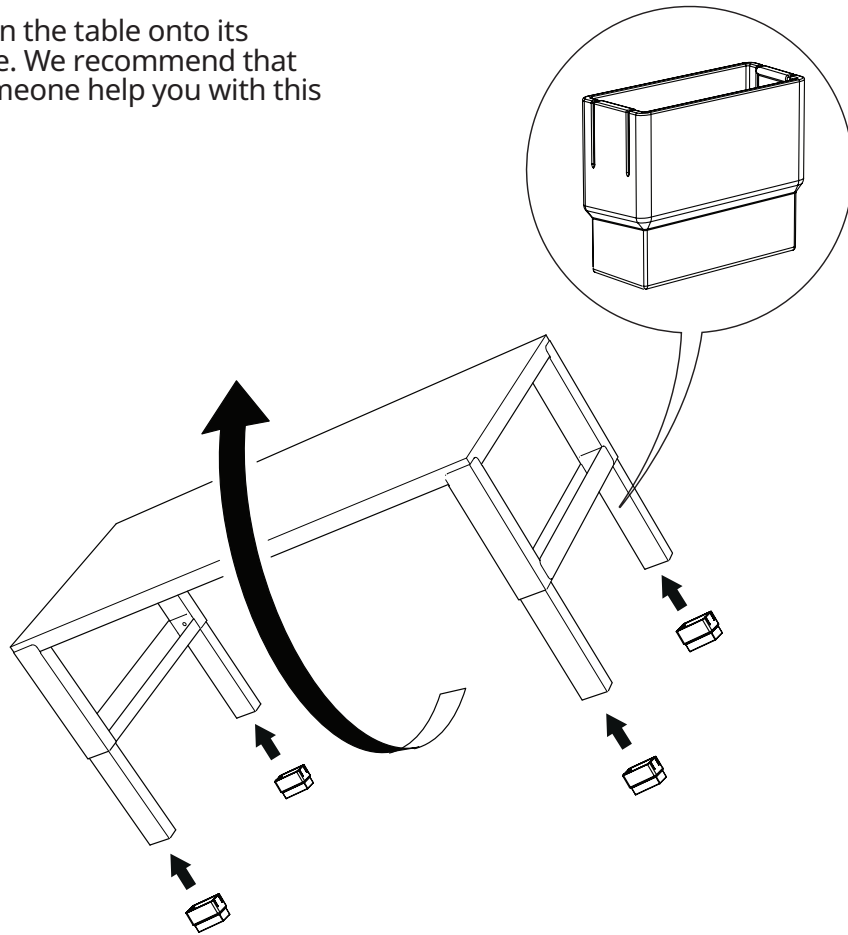
Suited to PÅHL series of tables

ThisAbles.com



1

Turn the table onto its side. We recommend that someone help you with this



2

Connect the legs adjustors to the bottom of the table legs.

3

Now turn the table back onto its legs. The table will be raised some 2.5 centimeters.

