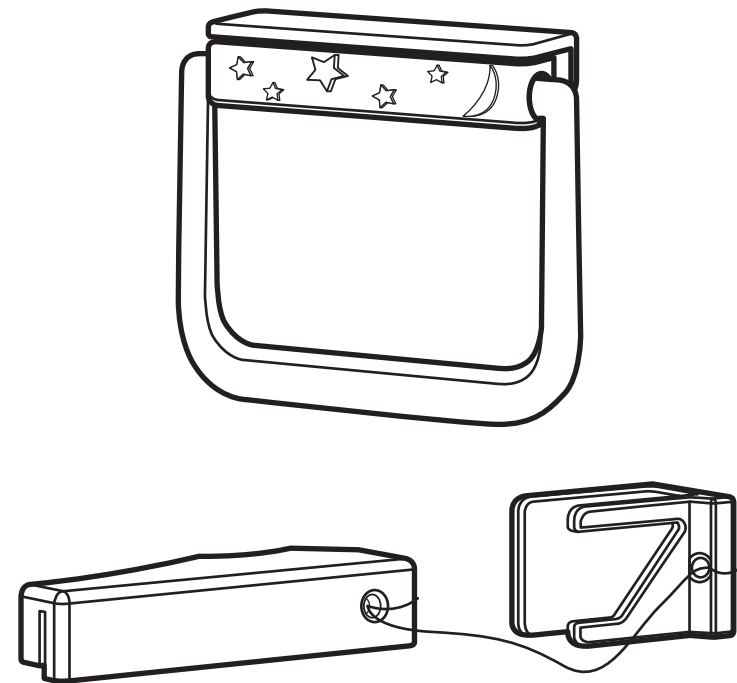


STOP STRING

The drawer stopper prevents the drawer from falling out if the drawer is pulled too strongly, and a handle that enables children to open the drawer.

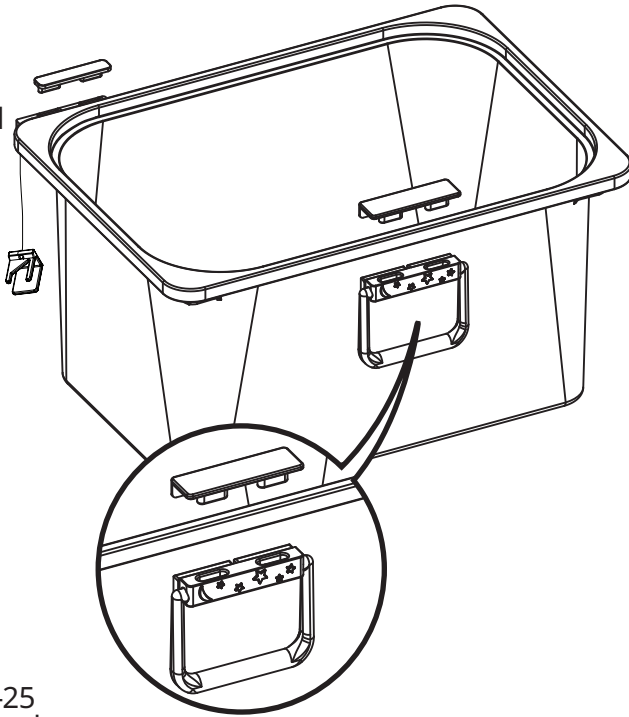
Suited to TROFAST series storage drawers

ThisAbles.com



1

Connect the handle adjuster to the drawer front's edge. Secure the handle adjuster to the drawer by connecting and tightening the closed section in its upper area.

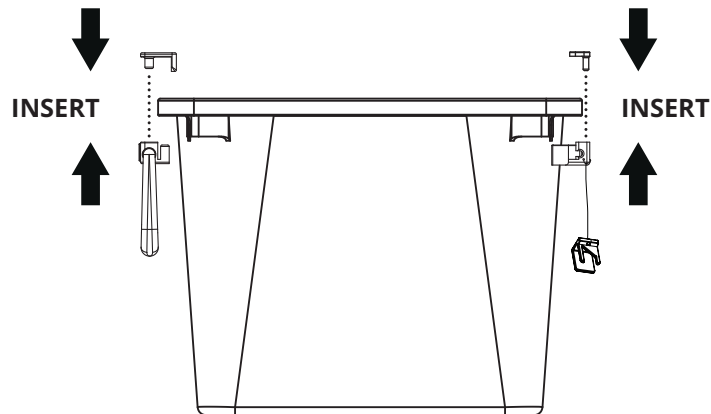


2

Connect the drawer back adjuster into the drawer's edge. Secure the drawer back adjuster by connecting and tightening the clasp in its upper area.

3

Use a thread of about 20-25 centimeters. Thread it into the hole of the drawer back adjuster and into the drawer clasp. Tie the ends of the thread.



4

Connect the clasp to the back of the chest of drawers. This will limit the drawer's range of movement.

